

Magia50



1



2



3

Magia50 is made of steel painted white or iron grey with paints suitable for both indoor and outdoor use. The handrail is in PVC with an aluminium core and is available in white or iron grey to match the colour of the staircase.

The railing is made up of painted steel balusters. The staircase is characterised by a universal landing so that it can be installed in openings of any shape and size. The direction of rotation, clockwise or anticlockwise, is decided at the time of installation. The diameters are 110, 130 and 150 cm.

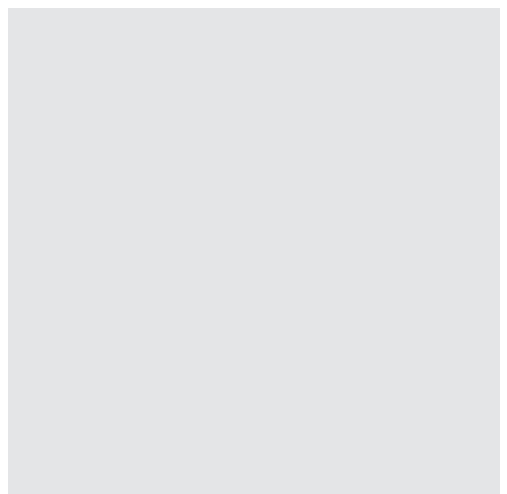
- 1 Side view of the railing with vertical balusters.
- 2 Baluster fastening to the tread.
- 3 Baluster fastening to the wall.





Magia50

- 1 Universal landing.
- 2 Detail of baluster fastening to the tread.
- 3 Side view of the railing with vertical balusters.



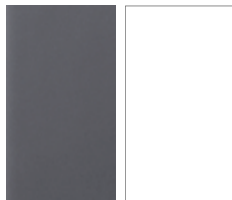


Magia50

Magia50 is made up of 11, 12, 13 or 15 treads complete with railing. To build a **Magia50** with 14 rises for a height from 295 to 330 cm, you need to buy a **Magia50** with 15 rises and

eliminate one tread at the time of installation. The maximum height of the staircase is 353 cm.

COLOURS AND FINISHES



METAL COLOURS: IRON GREY OR WHITE

COMPOSITION KIT



11 RISES



12 RISES



13 RISES



15 RISES

OPTIONAL BALUSTRADE MAGIA 120 cm



NO OPENING



SQUARE OPENING



ROUND OPENING

The **Magia** supplementary balustrade allows protecting the opening on the upper floor. It is made up of modular 120 cm modules, 10 balusters and a handrail. The balustrade can also have a circular shape.

OPTIONAL RISER BAR



Allows to reduce the space between treads to prevent children from falling.



Magia50/Supplementary items

METAL COLOUR		IRON GREY	WHITE
BALUSTRADE MAGIA 120 cm		K26050000	K26049000
RISER BAR	11 RISES	K24029000	K24025000
	12 RISES	K24030000	K24026000
	13 RISES	K24031000	K24027000
	15 RISES	K24032000	K24028000

Magia50

DIAMETER 110 (minimum opening 115 diameter)

METAL COLOUR		IRON GREY	WHITE
*HEIGHT 232 - 259 cm	11 RISES	K24002000	K24001000
*HEIGHT 253 - 283 cm	12 RISES	K24008000	K24007000
*HEIGHT 274 - 306 cm	13 RISES	K24014000	K24013000
*HEIGHT 295 - 353 cm	15 RISES	K24020000	K24019000

DIAMETER 130 (minimum opening 135 diameter)

METAL COLOUR		IRON GREY	WHITE
*HEIGHT 232 - 259 cm	11 RISES	K24004000	K24003000
*HEIGHT 253 - 283 cm	12 RISES	K24010000	K24009000
*HEIGHT 274 - 306 cm	13 RISES	K24016000	K24015000
*HEIGHT 295 - 353 cm	15 RISES	K24022000	K24021000

DIAMETER 150 (minimum opening 155 diameter)

METAL COLOUR		IRON GREY	WHITE
*HEIGHT 232 - 259 cm	11 RISES	K24006000	K24005000
*HEIGHT 253 - 283 cm	12 RISES	K24012000	K24011000
*HEIGHT 274 - 306 cm	13 RISES	K24018000	K24017000
*HEIGHT 295 - 353 cm	15 RISES	K24024000	K24023000



* If the height you measured appears in more than one row, we advise you to select the larger number of rises as this will make it more comfortable to walk up and down the stairs. Check that the number of rises selected fit in your stairwell referring to the plans from page 46.



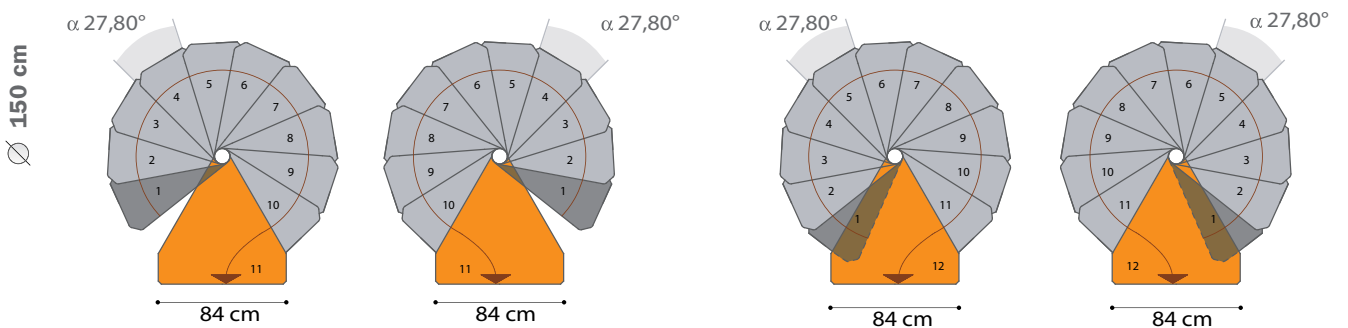
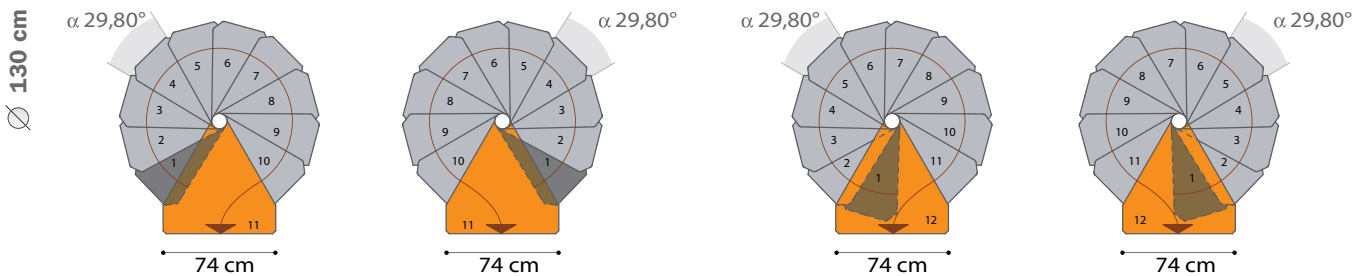
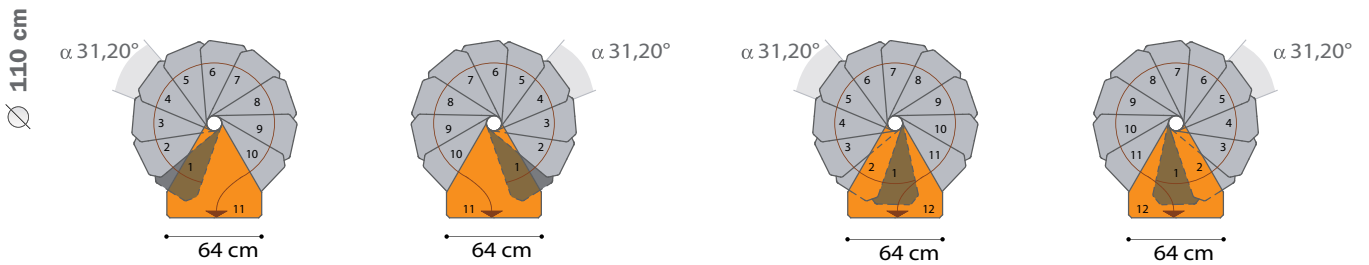
Choose your rotation.

Magia50.Xtra / Magia50

The configurations shown below will help you determine the direction of rotation and the starting point of the staircase based on the diameters and number of rises. The opening in the floor must be at least 5 cm larger than the diameter of the staircase. If the first tread from the bottom is not accessible, try (if possible) moving the landing point, or inverting the direction of rotation, or adding or removing rises.

11 RISES

12 RISES



Legend:

- first tread
- landing
- α tread section angle

Type of opening:



13 RISES

15 RISES

